

**User Manual**

# **The Micscreen**



**w w w . t h o m a n n . d e**

**the  
t.bone**

## Assembling your Micscreen

- 1 Fix the support rod to the micscreen by screwing it into the socket. Tighten the nut with the spanner.

FIG.1

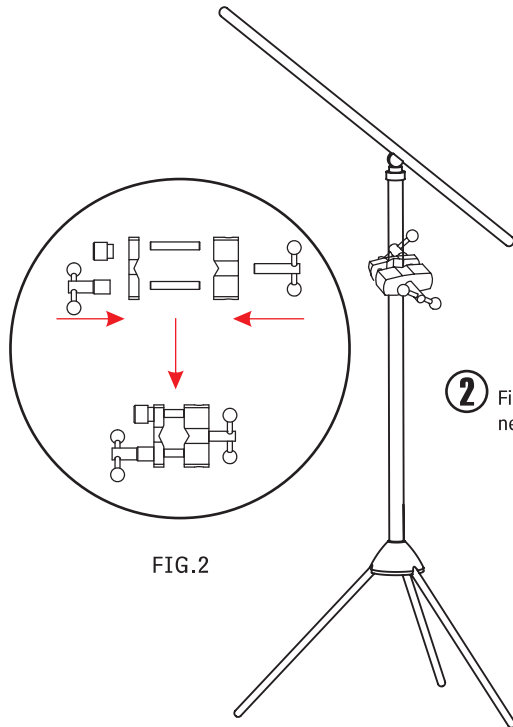
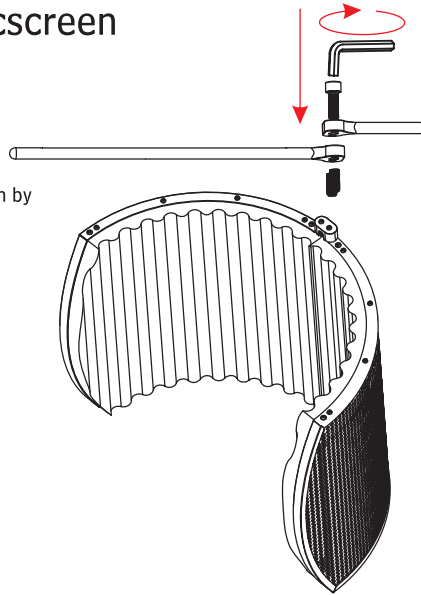
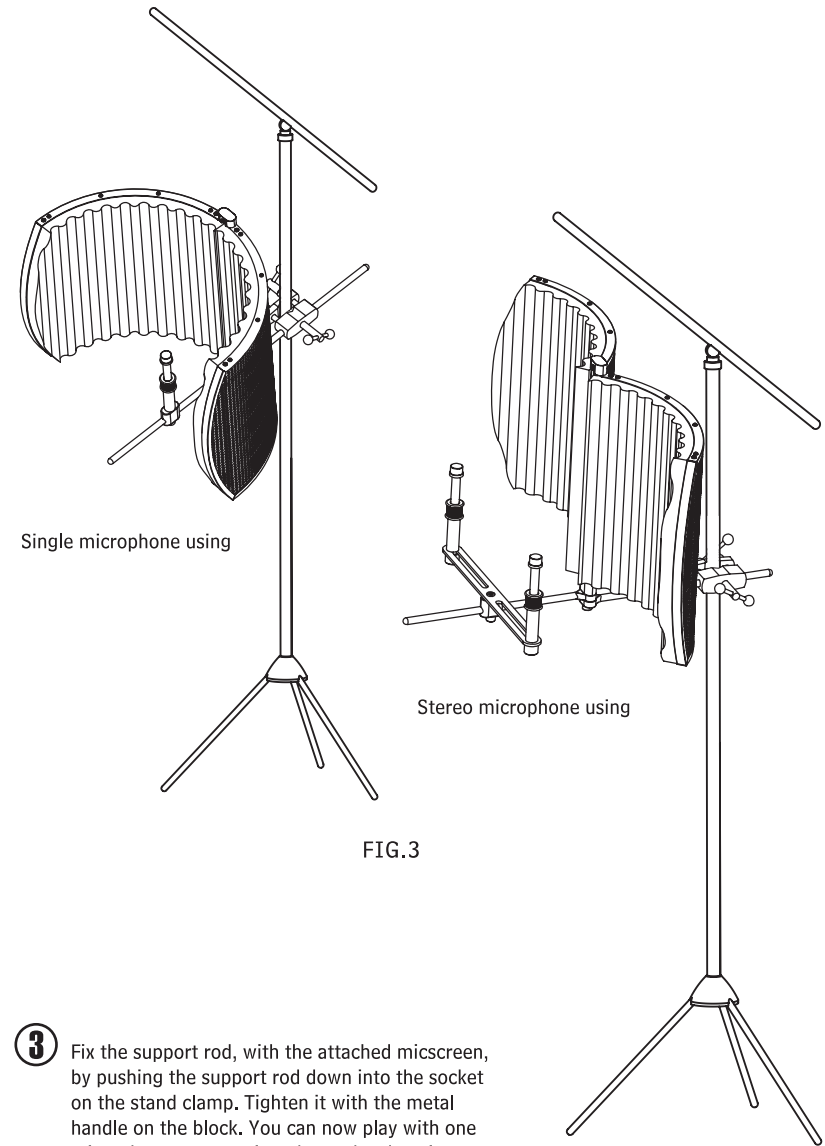


FIG.2

- 2 Fix the micscreen clamp in place on the neck of your microphone stand.



Single microphone using

Stereo microphone using

FIG.3

- 3 Fix the support rod, with the attached micscreen, by pushing the support rod down into the socket on the stand clamp. Tighten it with the metal handle on the block. You can now play with one microphone or two microphones by choosing different microphone support rods.