

ELECTRICAL CONNECTIONS AND SUPPLY

WARNING: This appliance must be earthed. Please check that the supply voltage details given on the rating label (located on the rear panel) are in accordance with your electricity supply.

FITTED PLUG. This appliance is fitted with a moulded-on plug. If the socket outlets in the home are not suitable for the plug supplied with this appliance (or the plug becomes damaged and requires replacement), it should be cut off and an appropriate three-pin plug fitted as detailed later in this section.

IMPORTANT: A moulded plug severed from the mains lead must be destroyed immediately. Such a plug with a bared flexible cord is hazardous if engaged in a live socket outlet.

If the fuse of the moulded-on plug is to be replaced, remove the coloured fuse cover on the underside of the plug, and use a suitably certified 3A fuse approved by ASTA to BS1362, i.e., the fuse carries the ASTA mark. The fuse cover must always be replaced. Never use the plug with the fuse cover omitted. Replacement fuse covers are available from your local Authorised Service Agent.

INSTRUCTIONS FOR USE. Plug the mains lead into a suitable power socket and connect your instrument to the input socket of the amplifier with a suitable guitar lead (this lead is not supplied with the amplifier, but is normally supplied with the electric guitar). Finally, press the Power Switch to the ON position, the power LED will glow and your amplifier is ready for use.

WARNING: If, after you have followed the instructions outlined above, your Amplifier fails to function, please contact your local distributor. Under no circumstances remove the rear panel of the Amplifier whilst it is connected to the mains supply.

Electrical appliances must never be used where there is a danger of water splashing onto the unit.

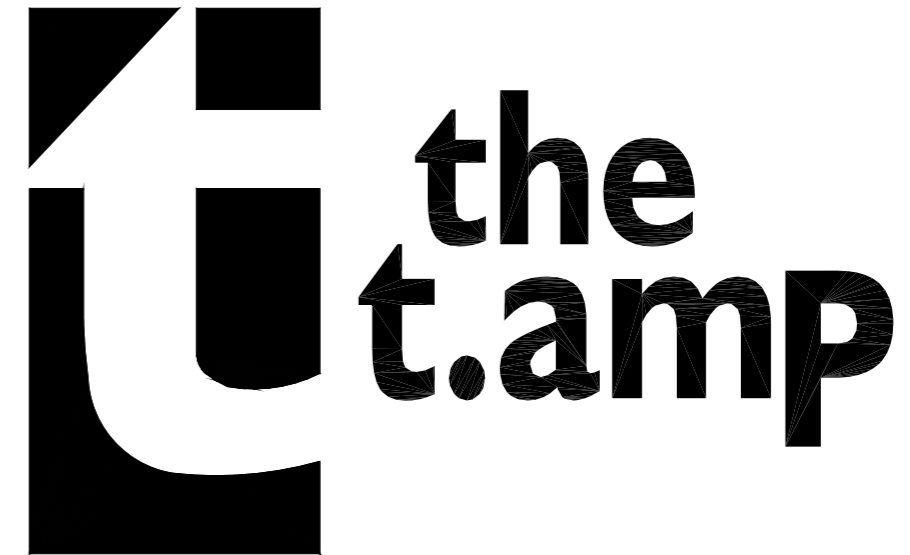
Your attention is drawn to the instructions printed on the notice attached to the back of the Amplifier.

Exposure to extremely high noise levels may cause a permanent hearing loss. Individuals vary considerably to noise induced hearing loss but nearly everyone will lose some hearing if exposed to sufficiently intense noise for a prolonged time.



WARNING: DO NOT use headphones in the Speaker jack! Permanent hearing damage could result!

CAUTION: CHASSIS SURFACE HOT.
WARNING: TO REDUCE THE RISK OF FIRE OR ELECTRIC SHOCK, DO NOT EXPOSE THIS EQUIPMENT TO RAIN OR MOISTURE.
AVIS: RISQUE DE CHOC ELECTRIQUE NE PAS OUVRIR.
ATTENTION: SUPERFICIE DE CHASSIS CHAUDE.



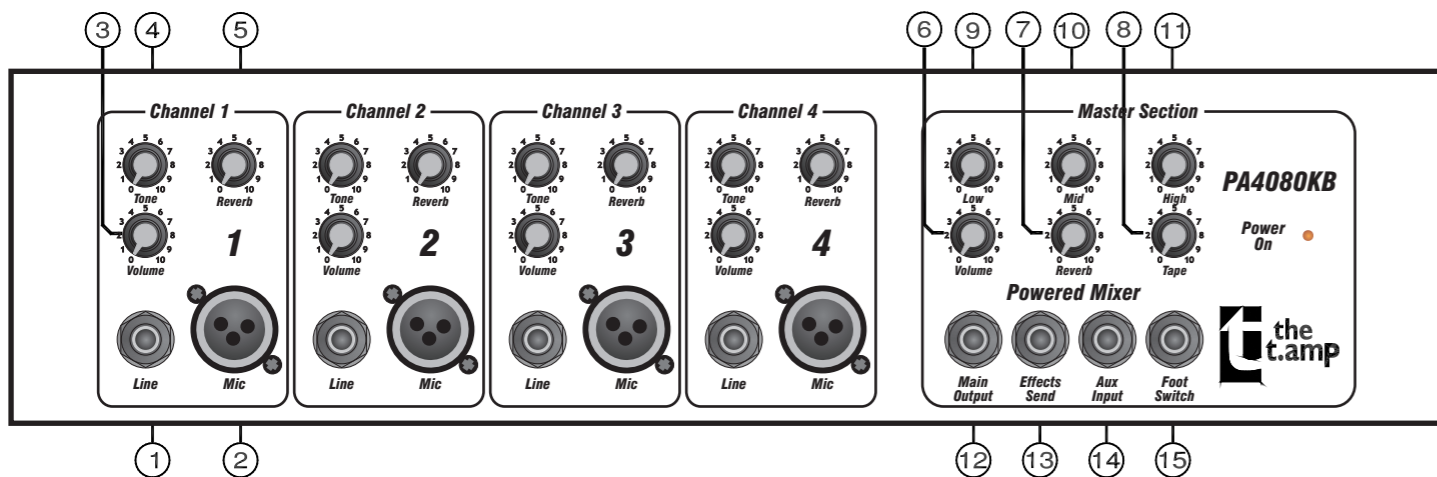
USER MANUAL

TITLE: 80 Watt 4 Channel Mixer Amplifier

MODEL: PA4080KB

DISTRIBUTOR/DEALER

- 80 Watts RMS
- APT-Automatic Protection System-protects the amplifier and speakers
- 10 total inputs-4 Balanced microphone inputs, 4 high impedance microphone inputs a auxiliary input and a Tape/CD input. All may be used simultaneously
- Reverb built with individual control on each channel
- External effects loop allows connection of external effects devices or equalizers
- RF interference protection on all inputs and outputs



INPUT SECTION FEATURES:

- (1) **1/4 Line/High Impedance Input:** This may be used as either a high impedance microphone input or a line level device such as: tape players, CD player, effects returns or radios. It will also allow connection from an electric guitar, bass, or keyboard. It is a 2-conductor input with an impedance of 10K ohms. Both the high and low impedance inputs may be used simultaneously.
- (2) **3 Pin Low Impedance Microphone Input:** This input is for balanced low impedance microphones. Phantom power (15 volts) for condenser microphones is always on and available. It has an input impedance of 1K ohm. The connector is wired as: Pin 1 = shield; Pin 2 = positive (hot); Pin 3 = negative (cold).
- (3) **Volume Control:** This is the volume control for each channel. It sends the signal to the master mix buss. Typical operation is between 4 and 8, dependent upon the device(s) on that channel, Please remember that it acts like a pre-amp, so if you are using a device that has a volume output control (i.e.: a tape or CD player) you will need to do some level matching by adjusting the level controls on each unit.
- (4) **Tone Control:** This is to adjust the overall tone of the individual inputs. It is set at 5Khz. Since it is a cut or boost control, (+/- 15dB) it will add or diminish presence frequencies in the sound.
- (5) **Reverb Control:** This is a send control to the reverb buss. It controls the amount of reverberation added to the input signals.

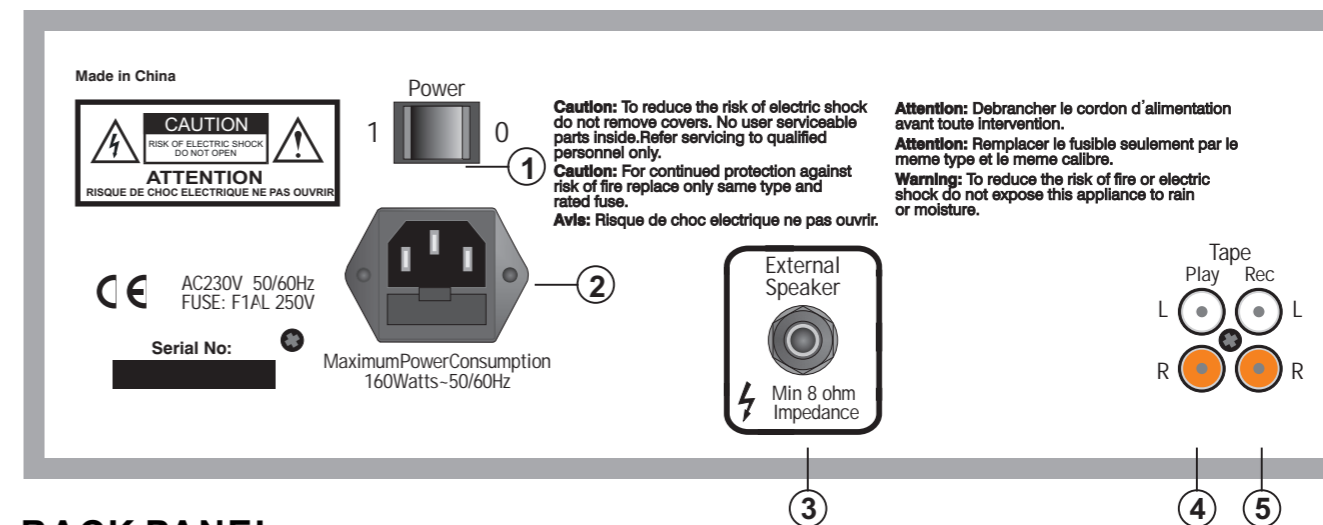
MASTER SECTION:

- (6) **Master Volume:** This controls the overall volume level of the entire amplifier. Typical operation is between 4 and 8.
- (7) **Master Reverb:** This controls the level of internal reverberation added back to the mix.
- (8) **Tape Volume:** This controls the level of the playback inputs (RCA jacks on rear panel).
- (9) **Master Low:** This controls the overall amount of bass frequencies (100 Hz). This control allows +/- 15dB of boost or cut.
- (10) **Master Middle:** This controls the overall amount of middle frequencies (1K Hz). This control allows +/- 15dB of boost or cut.
- (11) **Master High:** This controls the overall amount of high frequencies (10K Hz). This control allows +/- 15dB of boost or cut.
- (12) **Main Output:** A 1/4 2 conductor line output. The impedance is 1K ohm. @ -10dbv. It is used to allow the combined signals of the entire mix to be sent out to additional amplifier (for more overall power or to create a mirror image for a monitor amp), or for patching in external equalizers or effects such as delays or digital processors.

(13) **Reverb Output:** A 1/4 2 conductor line output. It is used to allow the processed signals controlled by Reverb volume to be sent out to additional amplifier (for more overall power or to create a mirror image for a monitor amp.)

(14) **Aux Input:** A 1/4 2 conductor line level output. output from the effects buss. This jack is used primarily to connect to and external effects device such as a chorus, delay, or echo.

(15) **Reverb Footswitch:** A 1/4 2 conductor foot switch jack. It is used to plug in a push on push off type footswitch to turn the internal reverb buss on or off.



BACK PANEL:

- (1) **Power:** This switches the unit on or off. When the unit is powered up, a red LED will come on also.
- (2) **Power Socket:** The socket for connecting external power source.
- (3) **External Output:** These are 2 conductor 1/4 speaker outputs. You may connect 1-8 ohm speaker cabinets. Do not go below rated minimum impedance.
- (4) **Tape Play (L/R):** These RCA jacks are for bringing in a tape deck, CD player or other line level source. The impedance is 10K ohms @ -10 dBv.
- (5) **Tape Record (L/R):** These RCA jacks are for hooking up a tape deck to record from the mixer. Both channels are summed into mono for compatibility. The signals are taken pre-master section, meaning that they are without reverb or the master tone section, and does not include the Tape In signal. The impedance is 1K ohms @ -10 dBv.

TECHNICAL SPECIFICATIONS		
Maximum Power		80 Watts
Input Impedance	Lo-Z Mic Hi-Z Mic Tape Playback	1 k Ohms 10 k Ohms 10 k Ohms
Maximum Gain	Lo-Z Mic-Speaker Hi-Z Mic-Speaker Tape In-Speaker	76 dB 56 dB 42 dB
Input Channel Equalization		+/- 15 dB @ 5 kHz
Master Equalization	High Mid Low	+/- 15 dB @ 10 kHz +/- 15 dB @ 1 kHz +/- 15 dB @ 100 Hz
Protection Circuit	Power on Mute	2 seconds
Dimension		620mm H x 500mm W x 320mm D
Weight		21.0kg